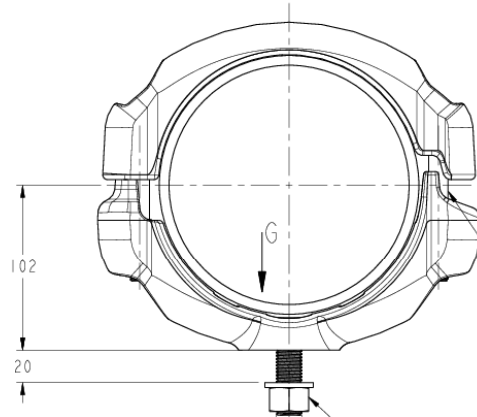
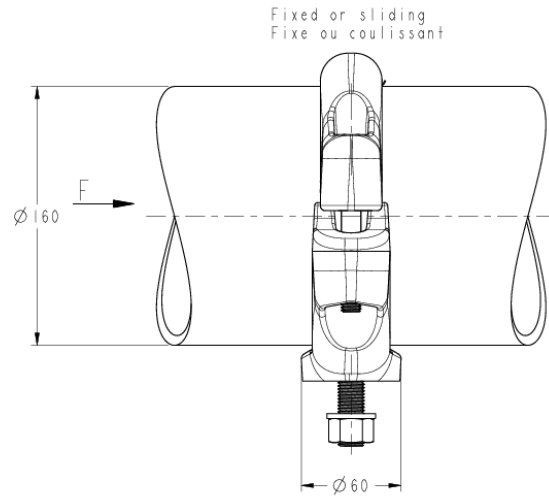
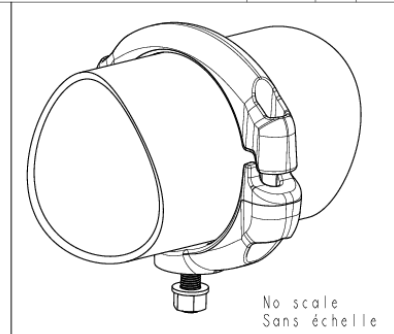
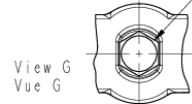


REVISIONS					
P	LTR	DESCRIPTION	DATE	DWN	APVD
A		CREATION	10JAN2022	RS	CG



M12 Bolts stainless steel A2: 60Nm
Boulons M12 acier inoxydable A2: 60Nm

M16 Bolt stainless steel A2: 120Nm; Head screw is locked
Boulon M16 acier inoxydable A2: 120Nm; blocage en rotation de la tête de vis



THIS DRAWING IS A CONTROLLED DOCUMENT.		DWN RAVI S	10JAN2022	STE TE Connectivity												
		CHK J. GODARD	10JAN2022													
		APVD C. GLOMMEAU	10JAN2022	NAME BUSBAR SUPPORT ON BPI SUPPORT TUBE SUR ISO 5 TS 82 M16-20 T160												
DIMENSIONS: mm		TOLERANCES UNLESS OTHERWISE SPECIFIED:														
<table border="1"> <tr><td>0 PLC</td><td>±</td></tr> <tr><td>1 PLC</td><td>±</td></tr> <tr><td>2 PLC</td><td>±</td></tr> <tr><td>3 PLC</td><td>±</td></tr> <tr><td>4 PLC</td><td>±</td></tr> <tr><td>ANGLES</td><td>±</td></tr> </table>		0 PLC	±	1 PLC	±	2 PLC	±	3 PLC	±	4 PLC	±	ANGLES	±	APPLICATION SPEC		SIZE CAGE CODE DRAWING NO
0 PLC	±															
1 PLC	±															
2 PLC	±															
3 PLC	±															
4 PLC	±															
ANGLES	±															
MATERIAL		FINISH		RESTRICTED TO												
		WEIGHT 1.63 kg		A3 00779 C=2406112												
		CUSTOMER DRAWING		SCALE 5:1 SHEET 1 OF 1 REV A												